



PRIORITY ONE - SAFETY

PRODUCTS

STANDARD

- 1800 attendant/child seat
- 1850 attendant/child seat
- 1750 attendant seat

ADVANCED

- 1780 attendant seat
- 1787 attendant seat
- 1790 squad bench convertible
- 1880 attendant/child seat
- 1760 flip seat

OTHER PRODUCTS

- Mobility 1 track seat
- 1500 cushion seat
- custom cushions and headers
- restraint systems/belts
- base options

PRODUCT APPLICATION

LINKS

CONTACT US

HOME

EVS 1787 SEAT



FEATURES & BENEFITS

- Ergonomically-correct removable seat back.
- Independent seat bottom that tracks 7 inches.
- Gives you the flexibility to carry a second transport.
- Available with 3- or 5-point belting systems.

learn more

**Also available in a sewn version.*

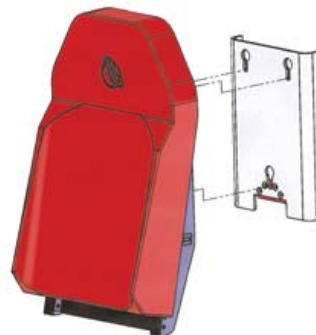
WATCH THE TESTING VIDEO

PRINTABLE PDF

EVS 1787
35" Seat Height
18" Seat Width
14-20" Seat Depth



Remove the Wall Mount seat back from the bulkhead and combine seat bottom with the squad bench to accommodate transporting a second patient.



Installed by OEMs, the Wall Mounted structure includes a built-in plate with three-pin latch release system designed and tested to meet or exceed the requirements of FMVSS 206. A quick release lever on the wall will easily remove the set back from the wall.

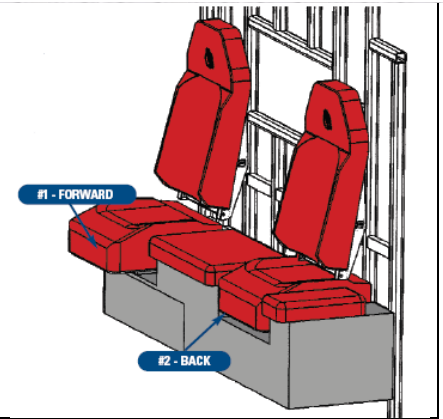


Detachable external belts for easy cleaning, disinfecting, and replacement.

SEAT POSITION OPTIONS

The unique EVVS 1787 Wall Mount Set System features an ergonomically-correct removable seat back with an independent seat bottom that will...

1. Track forward up to six inches to allow easy access to the patient while remaining in a proper seating position. This maximizes the benefit of the 5-Point safety belt. Or...
2. Track back against the bulkhead to allow the attendant to access around the cot. Or, when needed, it can provide an extension to the squad bench for a second patient transport. Or...
3. Track to any of five positions during patient transport.



OTHER EVS 1787 FEATURES

- Seamless seat construction complies with Triple-K and OSHA standards for the removal of blood-borne pathogens.
- Superior-quality foam for seating comfort.
- Meets or exceeds FMVSS 210 testing for seat belt anchorages.
- "Twist & Turn" bezel (patent pending) allows the attendant a wider range of movement.
- Schroth 5-point safety belt featuring EVS's exclusive detachable system.
- Single push button latch plate for easy on and off.

 [back to top](#)